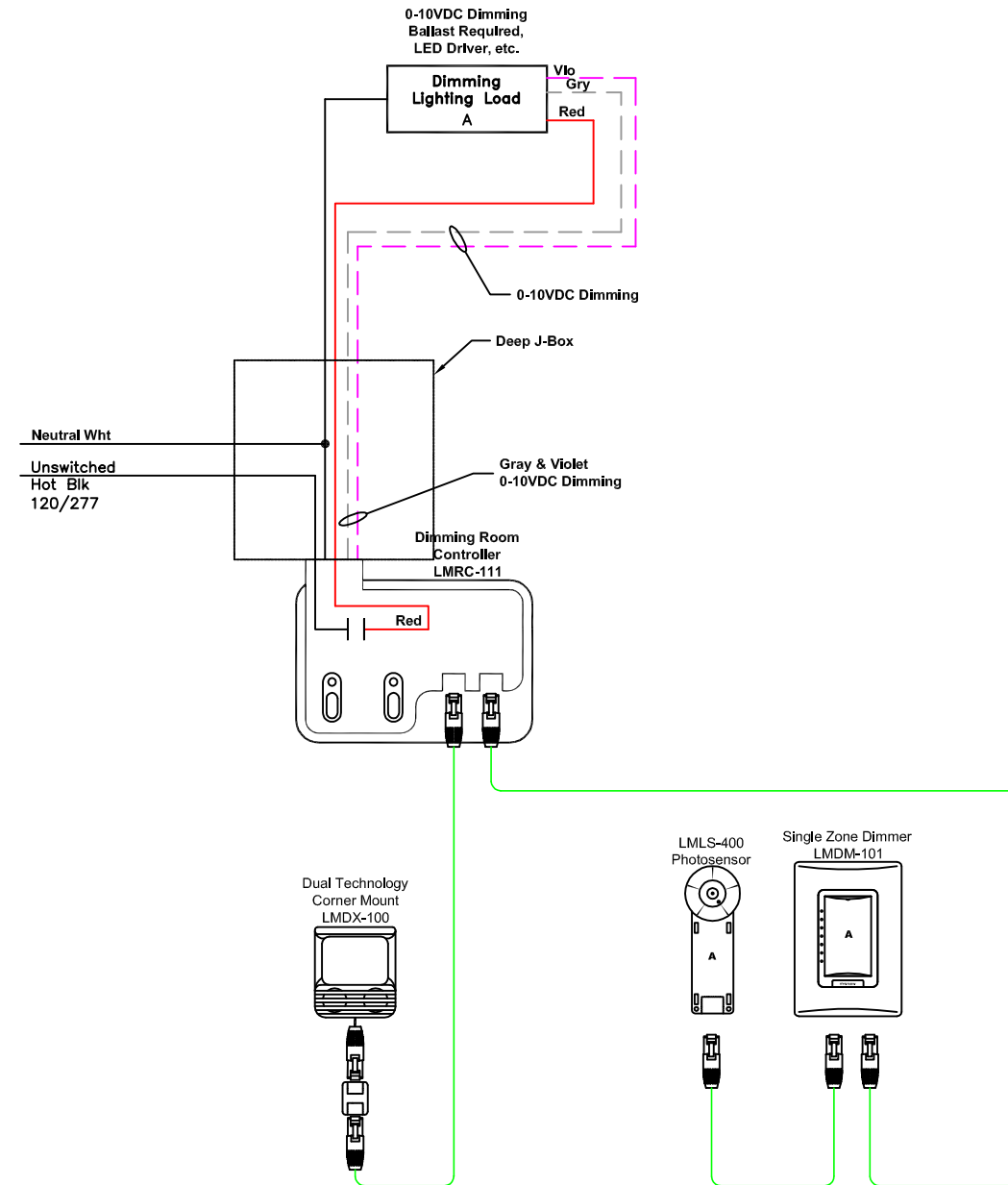


## SEQUENCE OF OPERATION

1. Lighting auto On to 50% when occupancy detected.
2. Manual On/Off/Dim and reduction control of general lighting with dimmer switch.
3. Lighting will continuously dim based on daylight contribution to maintain at least 35FC at task level.
4. Auto Off all lighting within 20 minutes of occupants leaving.

## TYPICAL DRAWING DETAIL NOTES

1. Follow manufacturer instructions for proper product placement, installation, wiring and operation.
2. Diagram is typical for space type. Provide proper quantity and type of occupancy sensors, switches, room controllers, daylighting sensors, etc., per code requirement for each space.
3. Use pre-terminated CAT5e cables with splitters and couplers as needed using a free topology wiring arrangement to connect lighting control devices.
4. Use LM-MSTP wire to daisy change connect network bridge devices in each room. Twist together and tape back the shielded wire and DO NOT connect to network terminals.



Wattstopper

www.legrand.us/wattstopper  
Phone: 888-852-2278

legrand®

Title  
IECC 2015 LARGE PRIVATE OFFICE  
0-10V DIMMING

Scale	Drawing#	Date	Rev.
None	I15LODD-W	10/3/2017	