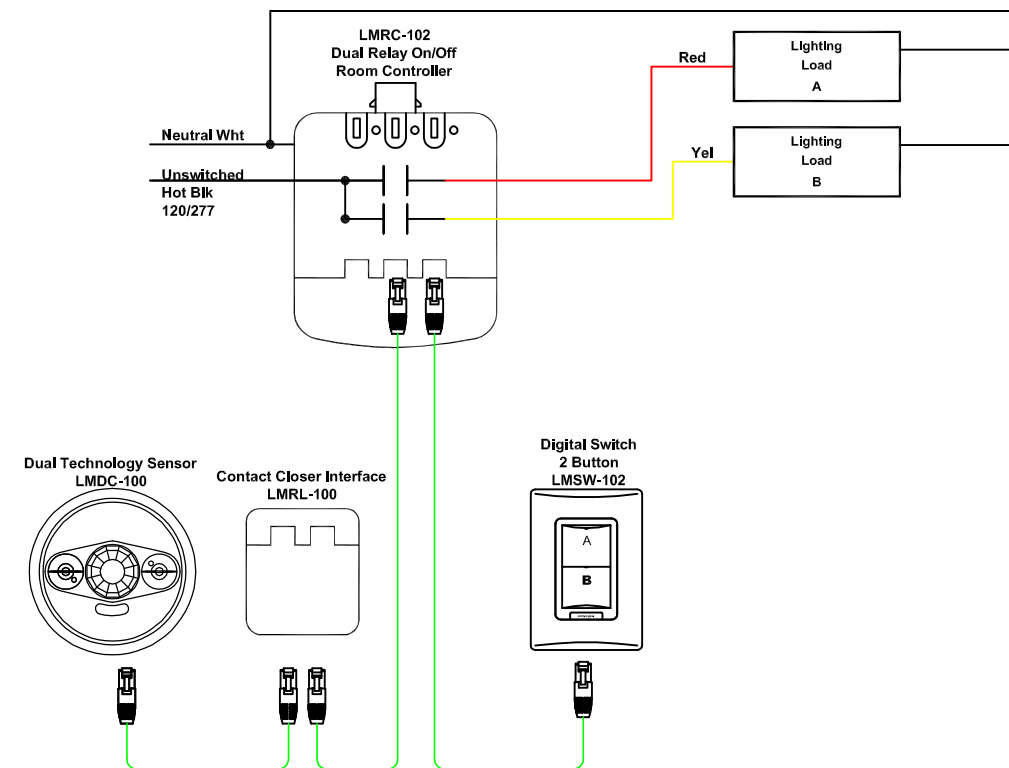
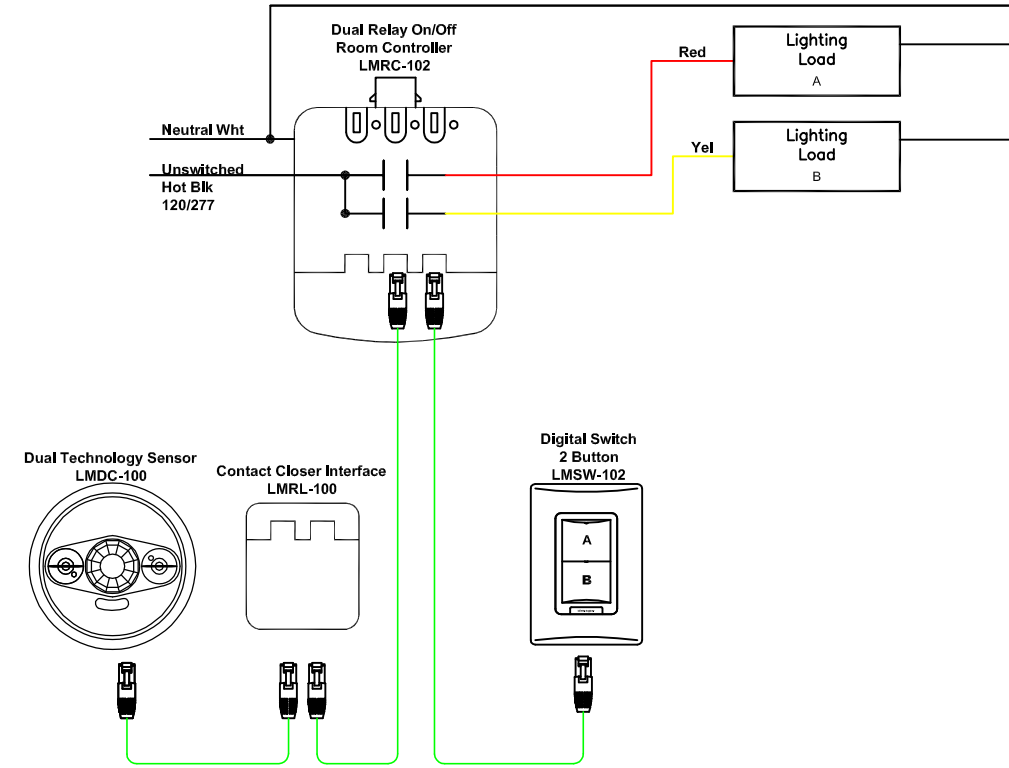


## SEQUENCE OF OPERATION

1. For each restroom independently, lighting (a) auto On to 50% and exhaust fan auto on when occupancy detected.
2. Manual On/Off and reduction control of general lighting (a, b) with switches.
3. Auto Off all lighting and exhaust fan for each restroom independently within 20 minutes of occupants leaving.

## TYPICAL DRAWING DETAIL NOTES

1. Follow manufacturer instructions for proper product placement, installation, wiring and operation.
2. Diagram is typical for space type. Provide proper quantity and type of occupancy sensors, switches, room controllers, daylighting sensors, etc., per code requirement for each space.
3. Use pre-terminated CAT5e cables with splitters and couplers as needed using a free topology wiring arrangement to connect lighting control devices.
4. Use LM-MSTP wire to daisy change connect network bridge devices in each room. Twist together and tape back the shielded wire and DO NOT connect to network terminals.



<b>Wattstopper</b>			
<small>www.legrand.us/wattstopper</small>		<b>legrand</b>	
<small>Phone: 888-852-2278</small>			
Title <b>IECC 2015 MULTI-STALL RESTROOM SWITCHING</b>			
Scale	Drawing#	Date	Rev.
None	I15RRRD-W	10/3/2017	