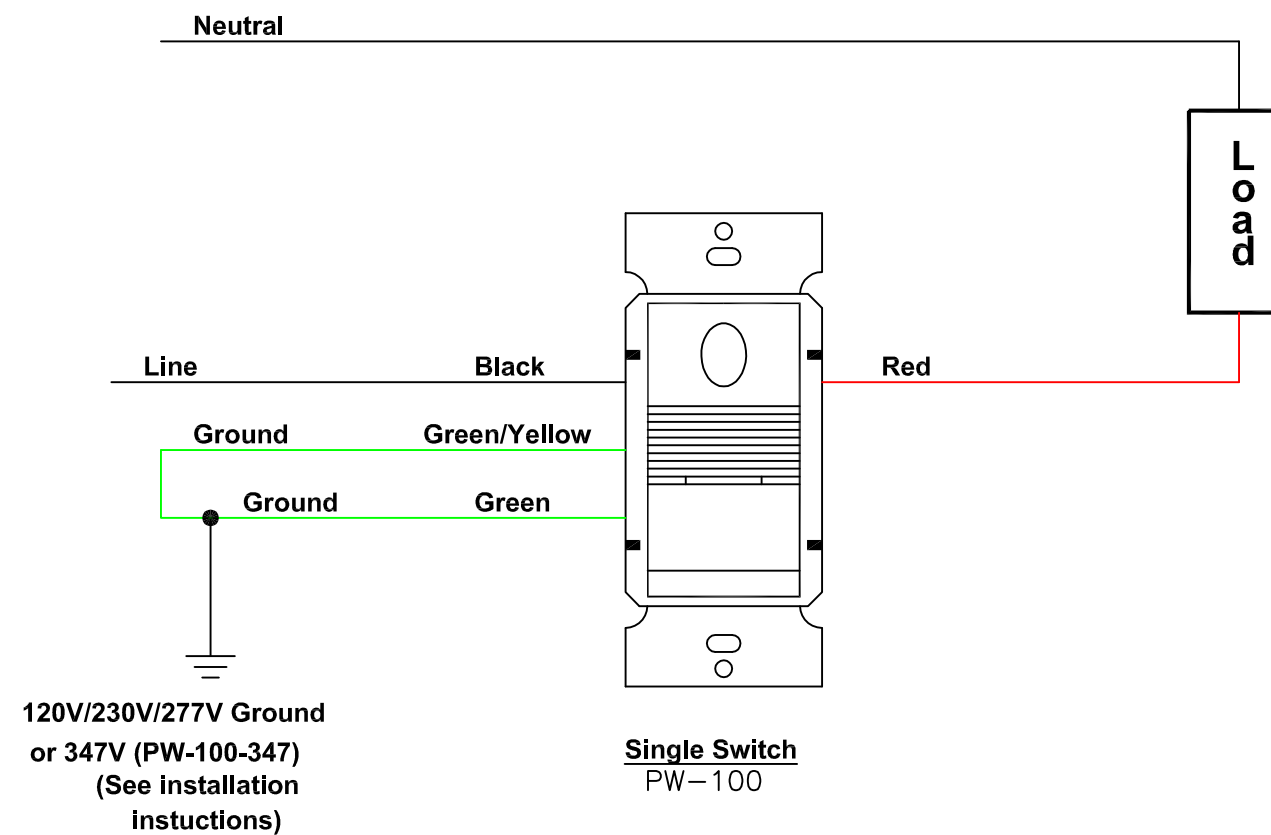


SEQUENCE OF OPERATION

1. Lighting and fan are manually controlled On/Off with occupancy sensor switch.
2. Lighting and fan will auto Off within 20 minutes of occupants leaving.

TYPICAL DRAWING DETAIL NOTES

1. Follow manufacturer instructions for proper product placement, installation, wiring and operation.
2. Diagram is typical for space type. Provide proper quantity and type of occupancy sensors, switches, room controllers, daylighting sensors, etc., per code requirement for each space.
3. Use pre-terminated CAT5e cables with splitters and couplers as needed using a free topology wiring arrangement to connect lighting control devices.
4. Use LM-MSTP wire to daisy change connect network bridge devices in each room. Twist together and tape back the shielded wire and DO NOT connect to network terminals.



Wattstopper

www.legrand.us/wattstopper
Phone: 888-852-2278

legrand®

Title

IECC 2015 PRIVATE RESTROOM
SWITCHING

Scale

None

Drawing#

I15PRRL-W

Date

10/3/2017

Rev.